

Another  
Taiwanese  
Work of  
Art

# DIE ERSTE INDUSTRY CO.,LTD

P.O.BOX 41-12 TAICHUNG TAIWAN R.O.C

TEL : 886-4-22310059 (5 LINES)

FAX : 886-4-22360236

## MODEL NO: GD-2500PCT

PRESSURE SEAL FORGED STEEL CLASS 2500

LIFT TYPE CHECK VALVE

BOLTED CAP,

MANUFACTURE AND DISGN: API 602

OR ANSI B16.34

CONNECTRION: THREADED ENDS,

SOCKET ENDS,

THREAD TYPE(NPT, BSPT, DIN ENDS)

INSPECTION AND TEST: API 598

WORKING TEMPERATURE:

5. 4~822. 6° F(A105)

-14. 4~957. 6° F (S. S. )

HYDROSTATIC TEST: SHELL: 9375PSI

SEAT: 6875PSI

AIR TEST: SEAT 60~100PSI

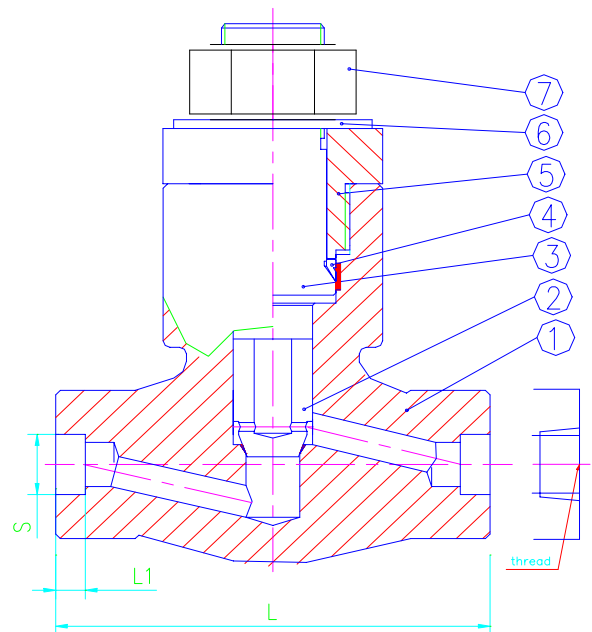
MATERIAL: A105, F304, F316, F11, F22, F304L, F316L



## PARTS AND MATERIAL:

NO.	PARTS NAME	MATERIALS		
1	BODY	ASTM A105	ASTM F304	ASTM F316
2	DISC	ASTM F6	ASTM F304	ASTM F316
3	SEALING SEAT	ASTM F6	ASTM F304	ASTM F316
4	SEALING RING	SS304		SS316
5	RETAINING NUT	ASTM A105	ASTM F304	ASTM F316
6	O-RING	CARBON STEEL		
7	P.S.LOCK NUT	ASTM A194-2H	ASTM A194 B8	

OTHER MATERIALS ARE AVAILABLE UPON REQUEST.



## DIMENSIONS LIST:

UNIT: MM

DN	SIZ	S(THREAD)	S(SOCKET)	L1	L
15	1/2"	1/2"	21.8	9.6	186
20	3/4"	3/4"	27.1	12.7	186
25	1"	1"	33.8	12.7	186
32	1-1/4"	1-1/4"	42.6	12.7	232
40	1-1/2"	1-1/2"	48.7	12.7	232
50	2"	2"	61.1	15.9	279

We hereby reserve the rights of any alternative dimension that would help to improve our valve's quality and working efficiency